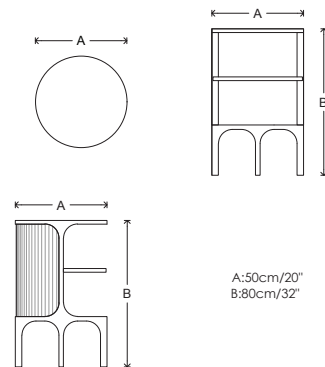


LOYZAGA

Jazz Round Table



Wooden side table with a round top and two story shelves, made in oak veneer and tabebuia rosea.

This side table is inspired by the Art Deco movement in the 1920s that is marked by the use of geometric shapes, stylized curves, atmospheric lighting, luxe materials like marble, velvet, brass, and chrome, and bold colors and metallic finishes.

Dimensions:

H: 32" | 80cm

W: 20" | 50cm

Lead time: 10-12 weeks

Delivery time: 1-2 weeks

Weight: 66 lb | 30 kg

Loyzaga Desing – Mexico City
info@loyzaga.mx